



www.shearline.com

Parts List

- Bucker (1)
- Tray (1)
- Leg Extensions (4)
- Rubber Feet (4)
- 1/4"-20 x 1-3/4" Bolts (8)
- 1/4" Washers (8)
- Spring Clips (4)

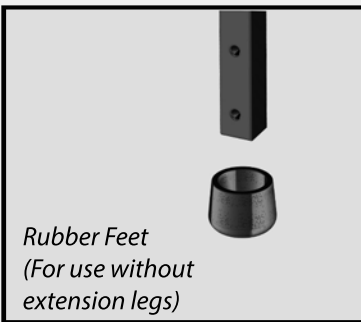
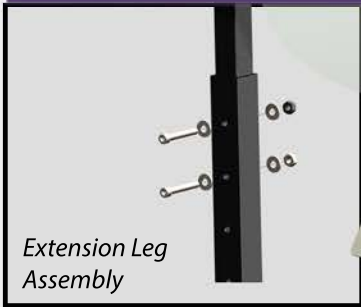


BUCKER ASSEMBLY

⚠ 110V
Operate at 110V only!

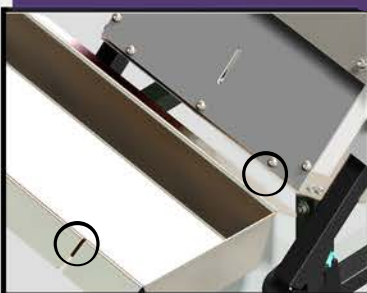
STEP 1

Assemble the LEGS



STEP 3

Attach the TRAY to the BUCKER



Slot Plate

Bearing Plate

STEP 2

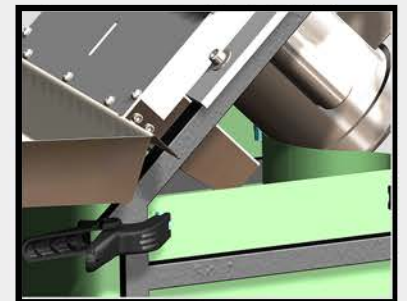
Attach the COLLECTOR BAG to the BUCKER with SPRING CLIPS (x 4)

(ensure to pull the bag OVER the crossbrace)

Spring Clip

Tray

Bag



Bag wraps AROUND motor, do not block fans. (bag not included)

Get more in-depth instructions and manuals at www.shearline.com

DISASSEMBLY, CLEANING & REASSEMBLY

For optimal performance and life, the BUCKER BLADE must be removed and cleaned after daily use.

Watch the video instructions at www.Shearline.com

⚠ 110V
Operate at 110V only!

STEP 1

Remove BEARING PLATE by removing 1/4"-20 x 1-3/4" allen head bolts & washers (x 4)



Bearing Plate

Shim
(Do not lose)

Shaft

Blade
(install flat side up)

STEP 2

Remove SLOT PLATE by removing 1/4"-20 x 5/8" pan head bolts & washers (x 10)

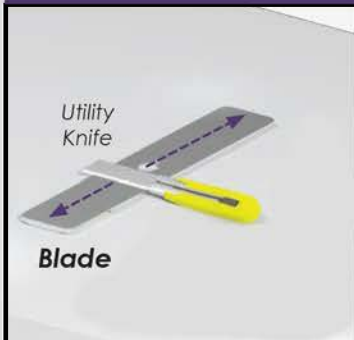


STEP 3

Remove the BLADE. Use a BRUSH to clear the debris from interior of the BUCKER

STEP 4

Clean the BLADE of debris by scraping with a UTILITY KNIFE and wiping down



STEP 5

Re-assemble the BUCKER in reverse order.